

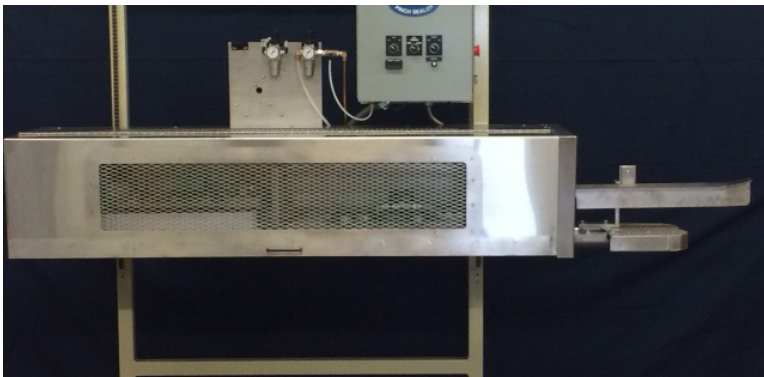
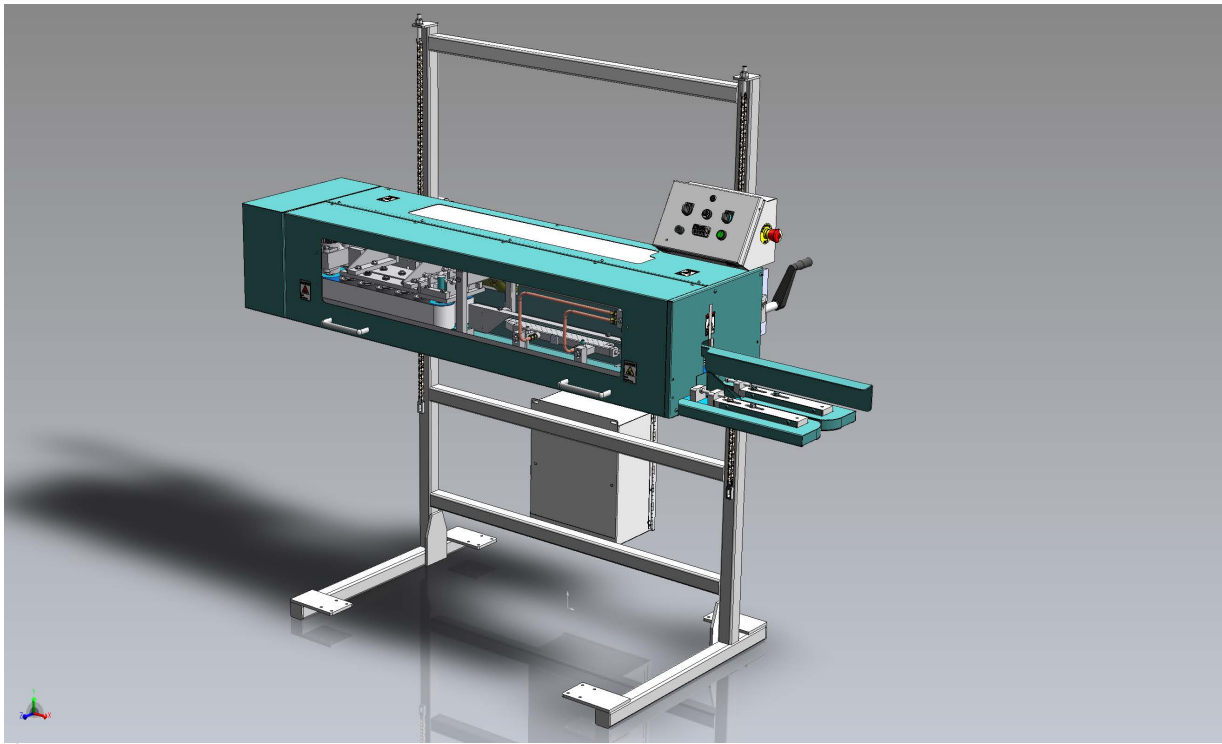


ElevationPKG.com

Automation - Integration - Packaging
Bagging Scales - Robotic Palletizing

MODEL EPS 5000

Pinch Bottom Multi-wall Paper Bag Sealer



FEATURES

- Designed for Automatic or manual lines
- Solid State Temperature Controls
- Easy open deck plates to remove jams
- Removable compression section = ease of cleaning

Elevation Packaging & Equipment, Inc.
Ashland, Nebraska 68003

402.999.0827 - Info@elevationpkg.com - www.elevationpkg.com

The **Model EPS 5000 Pinch Bottom Sealer** is a heavy duty bag closing machine, that closes pre-glued multi-wall paper bags. Designed specifically for minimum maintenance with maximum reliability, which is essential for long continuous production runs.

The EPS 5000 Pinch Bottom Sealer offers the following features:

- Designed for Automatic or manual lines
- Solid State Temperature Controls
- Easy open deck plates to remove jams
- Removable compression section for ease of cleaning
- Removable Folder section for ease of cleaning
- Stainless steel guarding
- AC adjustable speed controls
- Right to Left Feed Direction is standard

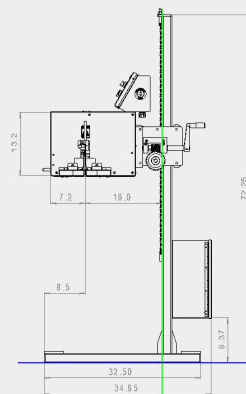
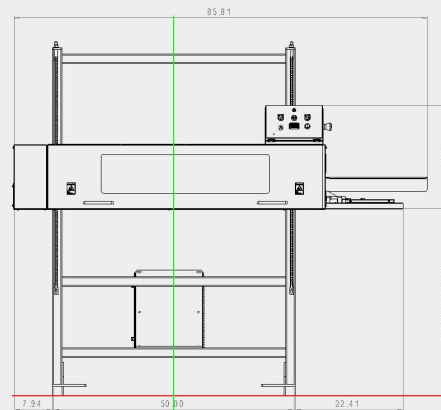
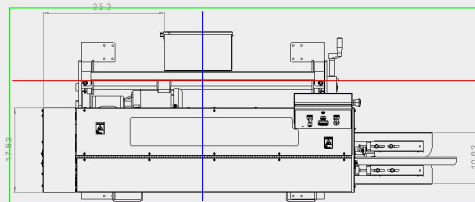
Specifications:

- *Speed 0-480"/min ***Faster speeds available - call for quote
- *Heat Control: Watlow/Tempco
- EZ-Zone Digital Readout
- *230 Volt 1 Phase
- *Motor: Baldor 1/2 HP
- Max Current amps 20
- Air consumption 80 PSI 10CFM

Options:

- Casters
- Code Date System
- Bag Conveyor
- Stainless construction
- Left to Right
- 230/460 3 phase

ITEM NO.	ITEM NUMBER	DESCRIPTION	MATERIAL	QTY.
1	204-000	ASSY-FLOORSTAND	SEE ROW	1
2	200-100	ASSY-FRAME-RPS-5000	SEE ROW	1
3	207-100	ASSY-CHESS	SEE ROW	1
4	200-000	ASSY-COMPRESSION	SEE ROW	1
5	200-100	ASSY-GUARDS	SEE ROW	1
6	200-000	ASSY-HEMI-ENCLOSURE	SEE ROW	1
7	300-000	REMOVE MAIN ENCLOSURE	SEE ROW	1



Note shown without caster option

Elevation Packaging & Equipment, Inc.
Ashland, Nebraska 68003

402.999.0827 - Info@elevationpkg.com - www.elevationpkg.com